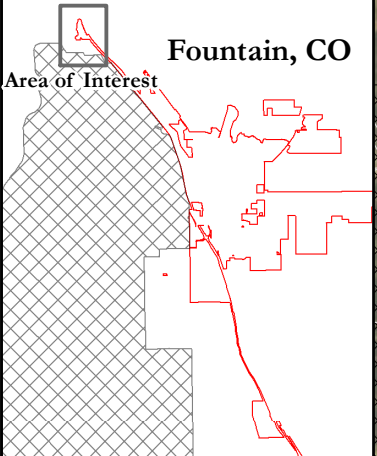
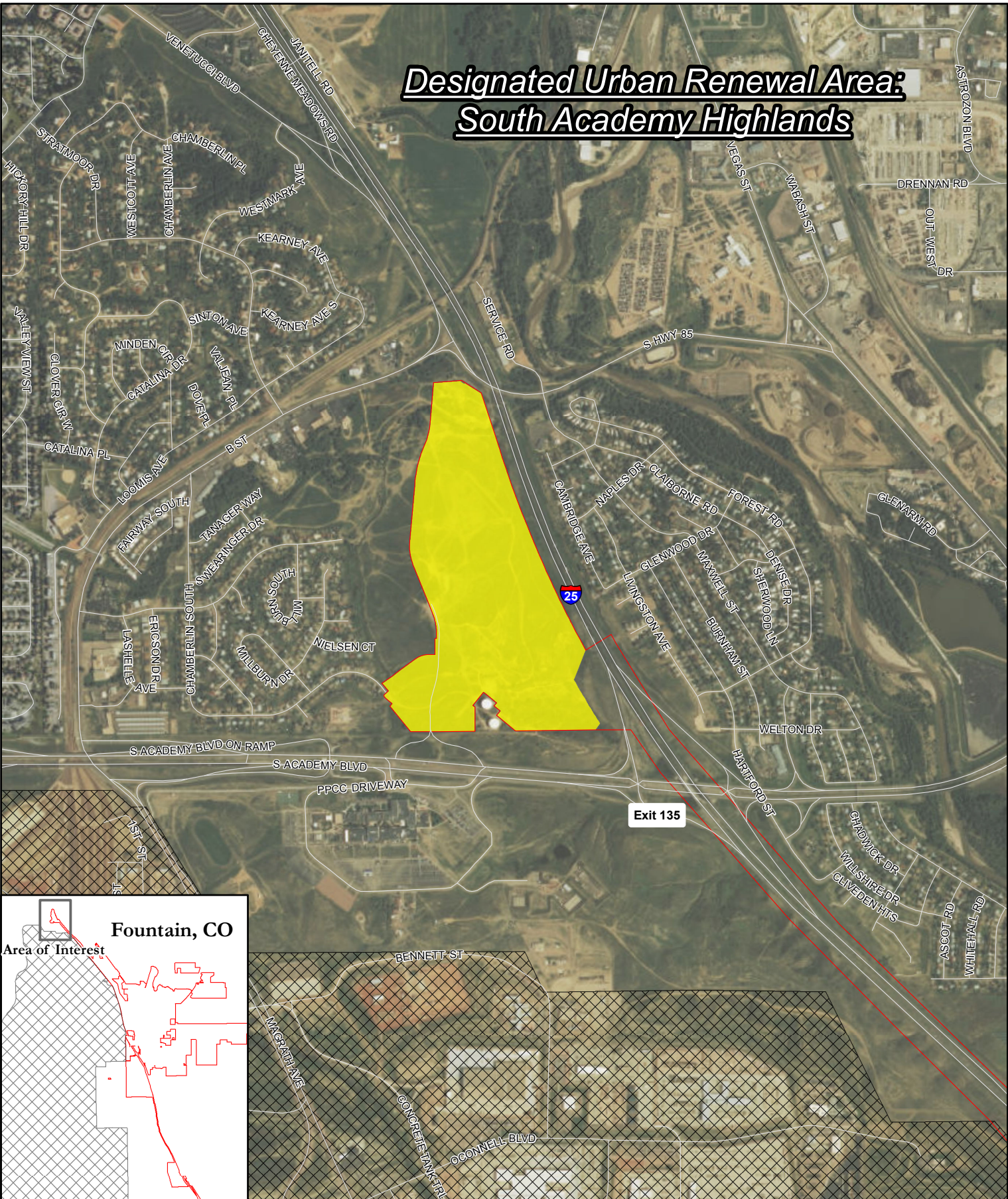
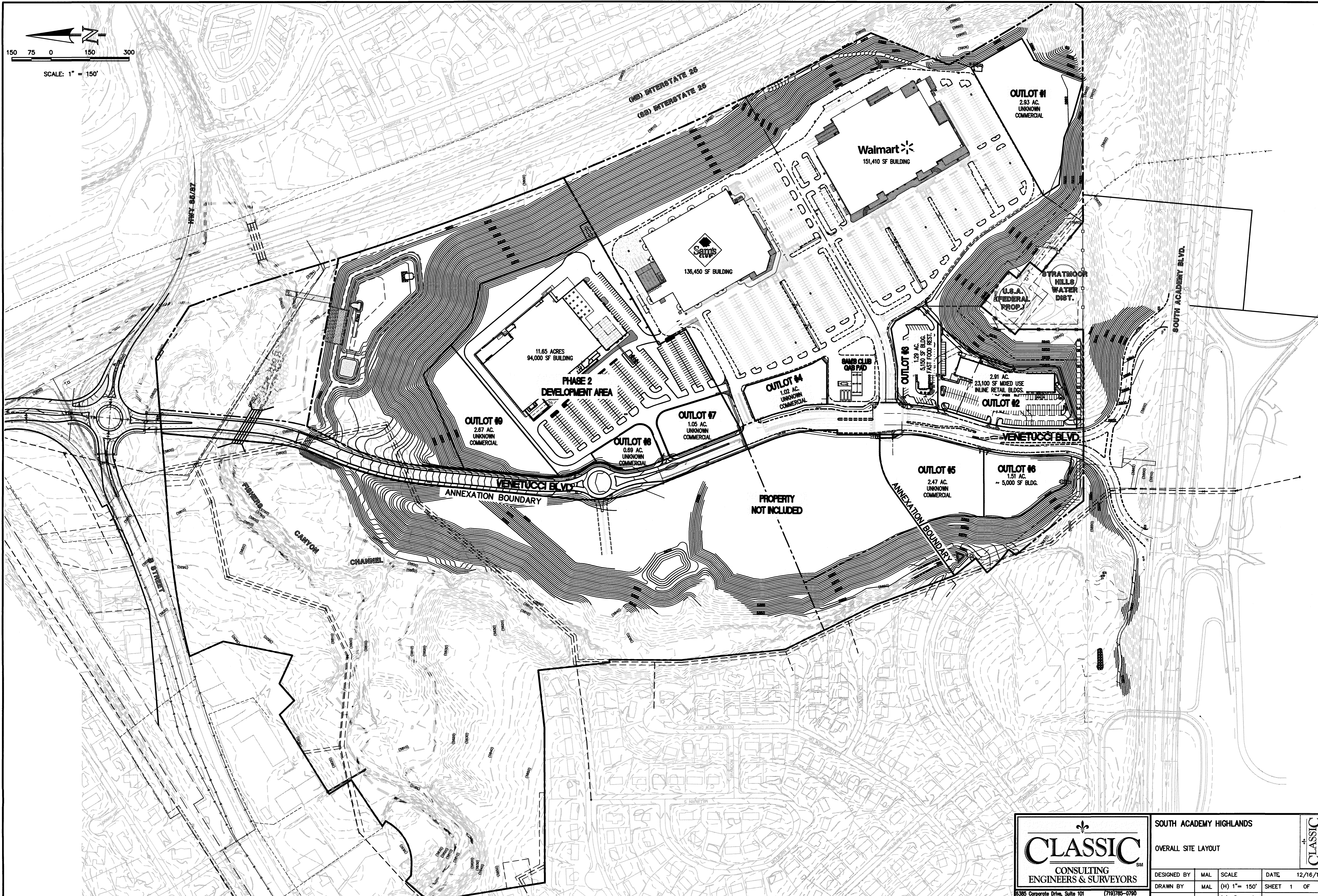
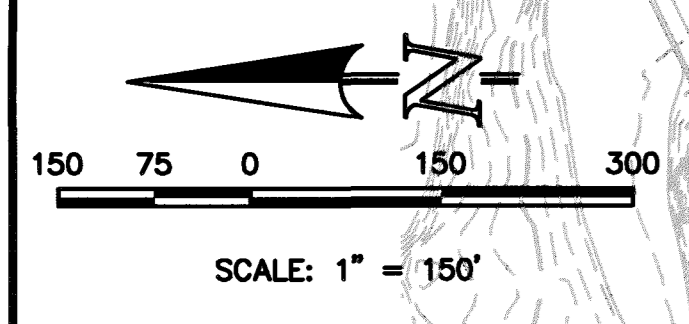


Designated Urban Renewal Area: South Academy Highlands





		SOUTH ACADEMY HIGHLANDS		
		OVERALL SITE LAYOUT		
DESIGNED BY	MAL	SCALE	DATE	12/16/15
DRAWN BY	MAL	(H) 1" = 150'	SHEET	1 OF 1
CHECKED BY	(V) 1" = N/A	JOB NO.	2184.92	
<small>6395 Corporate Drive, Suite 101 (719)785-0790 Colorado Springs, Colorado 80919 (719)785-0789(Fax)</small>				

K:\2184\DRAWINGS\SHARED\Overall - 12-16-15.dwg, 12/22/15 2:27 PM, LP: BTJ/LS